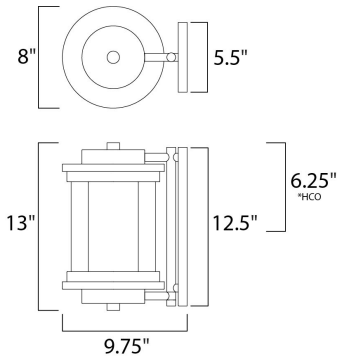




**PRODUCT DESCRIPTION**



\*height from center of outlet to the top of the fixture


**MEASUREMENTS**

DIMENSION : 8" W x 13" H x 9.75" Ext  
 BACK PLATE : 5.5" W x 12.5" H x 6.25" HCO  
 HANGING WEIGHT : 7.8 lb

**LAMPING**

INPUT VOLTAGE : 120V  
 LUMENS : 1,355 Rated  
 BULB : 1 x 18W Fluorescent GU24 , 18W Total  
 BULB INCLUDED : (Included)  
 DIMMABLE : No  
 COLOR\_TEMP : 2700K

**FINISHES OPTION**

 Anthracite

**GLASS**

Clear and Frosted CLFT

**MATERIAL**

Die Cast Aluminum

**RATINGS**

cETLus  
 Wet Location



**ADDITIONAL**

RATED LIFE 10000 Hours  
 OPERATING TEMPERATURE:  
 -20°C (-4°F), 40°C (104°F)

Always consult a qualified electrician before installing any lighting product.



**WESTERN DISTRIBUTION CENTER (HEADQUARTER)**  
 253 NORTH VINELAND AVE | CITY OF INDUSTRY, CA 91746  
**EASTERN DISTRIBUTION CENTER**  
 4200 SHIRLEY DR. | ATLANTA, GA 30336  
 P. 626.956.4200 | F. 626.956.4225 | maximlighting.com