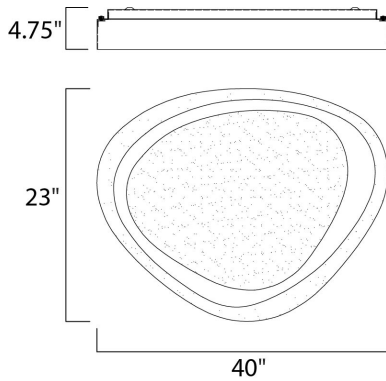




PRODUCT DESCRIPTION

Soft rounded frames of steel, available in your choice of White or Bronze, are intelligently illuminated by state of the art LED modules, which are dimmable. A two layer bottom allows a splash of light for highlight.



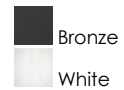
MEASUREMENTS

DIMENSION : 40" L x 23" W x 4.75" H
 HANGING WEIGHT : 28.6 lb

LAMPING

LUMENS : 5,460 Rated
 BULB : 78W LED LED , 0W Total
 BULB INCLUDED : (Included)
 DIMMABLE : Triac CL
 CRI : 80+ CRI
 COLOR_TEMP : 3000K

FINISHES OPTION



GLASS

White WT

RATINGS

Dry Location



ADDITIONAL

OPERATING TEMPERATURE:
 -20°C (-4°F), 40°C (104°F)

Always consult a qualified electrician before installing any lighting product.



WESTERN DISTRIBUTION CENTER (HEADQUARTER)
 253 NORTH VINELAND AVE | CITY OF INDUSTRY, CA 91746

EASTERN DISTRIBUTION CENTER
 4200 SHIRLEY DR. | ATLANTA, GA 30336

P. 626.956.4200 | F. 626.956.4225 | maximlighting.com