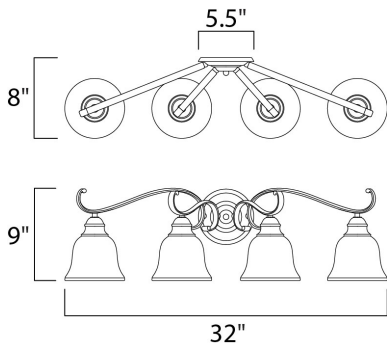




PRODUCT DESCRIPTION

Linda EE is a beautiful transitional energy saving collection with long flowing arms. The warm Wilshire glass perfectly complements the Oil Rubbed Bronze finish. Fixtures include energy efficient, long lasting and low maintenance compact fluorescent bulbs, with select fixtures being Energy Star certified.




MEASUREMENTS

DIMENSION : 32" W x 9" H x 8" Ext
 BACK PLATE : 5.5" W x 5.5" H x 6" HCO
 HANGING WEIGHT : 9.26 lb

LAMPING

LUMENS : 3,600 Rated
 BULB : 4 x 13W Fluorescent GU24 , 52W Total
 BULB INCLUDED : (Included)
 DIMMABLE : No
 CRI : 81-82 CRI
 COLOR_TEMP : 2700K
 LIGHTING_DIRECTION : Both

FINISHES OPTION

 Oil Rubbed Bronze

GLASS

Wilshire WS

MATERIAL

Iron

RATINGS

Damp Location
 Energy Star



ADDITIONAL

INSTALL UP/DOWN: Both
 INCANDESCENT WATTS: 327
 RATED LIFE 10000 Hours
 OPERATING TEMPERATURE:
 -20°C (-4°F), 40°C (104°F)

Always consult a qualified electrician before installing any lighting product.



WESTERN DISTRIBUTION CENTER (HEADQUARTER)
 253 NORTH VINELAND AVE | CITY OF INDUSTRY, CA 91746

EASTERN DISTRIBUTION CENTER
 4200 SHIRLEY DR. | ATLANTA, GA 30336

P. 626.956.4200 | F. 626.956.4225 | maximlighting.com