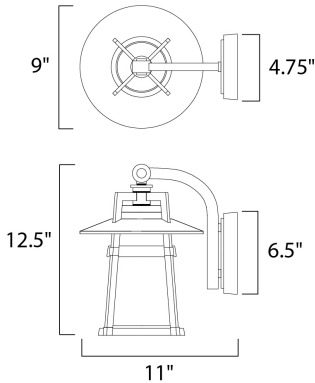




PRODUCT DESCRIPTION

The Calistoga Collection is where classic, yet contemporary, style meets energy efficiency. With a Die Cast aluminum frame constructed in sleek lines and finished in Adobe, this collection features an integral hood with a Satin White conical shade, casting light downward. The collection is also available in LED (Calistoga LED) and Incandescent (Calistoga).



MEASUREMENTS

DIMENSION : 9" W x 12.5" H x 11" Ext
 BACK PLATE : 4.75" W x 6.5" H x 6.5" HCO
 HANGING WEIGHT : 3.96 lb

LAMPING

INPUT VOLTAGE : 120V
 LUMENS : 1,355 Rated
 BULB : 1 x 18W Fluorescent GU24 , 18W Total
 BULB INCLUDED : (Included)
 DIMMABLE : No
 COLOR_TEMP : 2700K

FINISHES OPTION

 Adobe

GLASS

Satin White SW

MATERIAL

DIE CAST ALUMINUM

RATINGS

Wet Location



ADDITIONAL

RATED LIFE 10000 Hours
 OPERATING TEMPERATURE:
 -20°C (-4°F), 40°C (104°F)

Always consult a qualified electrician before installing any lighting product.



WESTERN DISTRIBUTION CENTER (HEADQUARTER)
 253 NORTH VINELAND AVE | CITY OF INDUSTRY, CA 91746

EASTERN DISTRIBUTION CENTER
 4200 SHIRLEY DR. | ATLANTA, GA 30336

P. 626.956.4200 | F. 626.956.4225 | maximlighting.com