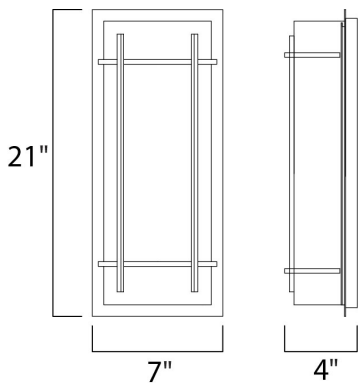




**PRODUCT DESCRIPTION**

Luna EE, a contemporary style collection from Maxim Lighting, features both indoor and outdoor sconces, pendants and flush mounts available in three finishes, Brushed Metal, Natural Iron or Oil Rubbed Bronze.



**MEASUREMENTS**

DIMENSION : 7" W x 21" H x 4" Ext  
 BACK PLATE : 5.5" W x 19.75" H x 10.5" HCO  
 HANGING WEIGHT : 3.74 lb

**LAMPING**

LUMENS : 1,800 Rated  
 BULB : 2 x 13W Fluorescent GU24 , 26W Total  
 BULB INCLUDED : (Included)  
 DIMMABLE : No  
 CRI : 81-82 CRI  
 COLOR\_TEMP : 2700K

**FINISHES OPTION**

 Oil Rubbed Bronze

**GLASS**

Wilshire WS

**MATERIAL**

Aluminum

**RATINGS**

Wet Location  
 Energy Star  
 ADA



**ADDITIONAL**

INCANDESCENT WATTS: 164  
 RATED LIFE 10000 Hours  
 OPERATING TEMPERATURE:  
 -20°C (-4°F), 40°C (104°F)

Always consult a qualified electrician before installing any lighting product.



**WESTERN DISTRIBUTION CENTER (HEADQUARTER)**  
 253 NORTH VINELAND AVE | CITY OF INDUSTRY, CA 91746

**EASTERN DISTRIBUTION CENTER**  
 4200 SHIRLEY DR. | ATLANTA, GA 30336

P. 626.956.4200 | F. 626.956.4225 | maximlighting.com