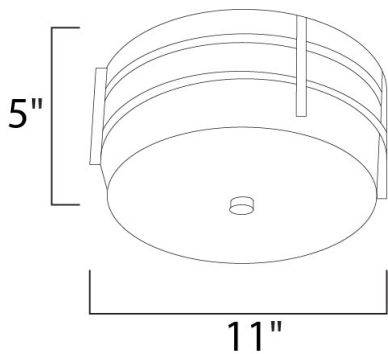


PRODUCT DESCRIPTION

Luna EE, a contemporary style collection from Maxim Lighting, features both indoor and outdoor sconces, pendants and flush mounts available in three finishes, Brushed Metal, Natural Iron or Oil Rubbed Bronze.




MEASUREMENTS

DIMENSION : 11" W x 5" H
 HANGING WEIGHT : 4.07 lb

LAMPING

INPUT VOLTAGE : 120V
 LUMENS : 1,800 Rated
 BULB : 2 x 13W Fluorescent GU24 , 26W Total
 BULB INCLUDED : (Included)
 DIMMABLE : No
 CRI : 80+ CRI
 COLOR_TEMP : 2700K

FINISHES OPTION

 Brushed Metal

GLASS

White WT

MATERIAL

Aluminum

RATINGS

Damp Location



ADDITIONAL

INCANDESCENT WATTS: 164
 RATED LIFE 10000 Hours
 OPERATING TEMPERATURE:
 -20°C (-4°F), 40°C (104°F)

Always consult a qualified electrician before installing any lighting product.



WESTERN DISTRIBUTION CENTER (HEADQUARTER)
 253 NORTH VINELAND AVE | CITY OF INDUSTRY, CA 91746

EASTERN DISTRIBUTION CENTER
 4200 SHIRLEY DR. | ATLANTA, GA 30336

P. 626.956.4200 | F. 626.956.4225 | maximlighting.com