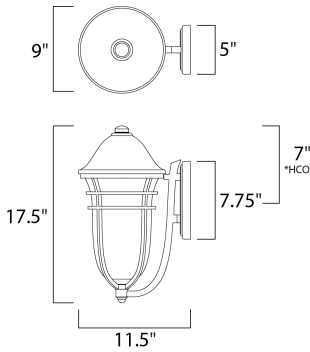




**PRODUCT DESCRIPTION**



\*height from center of outlet to the top of the fixture

**MEASUREMENTS**

DIMENSION : 9" W x 17.5" H x 11.5" Ext  
 BACK PLATE : 5" W x 7.75" H x 7" HCO  
 HANGING WEIGHT : 6.16 lb

**LAMPING**

INPUT VOLTAGE : 120V  
 LUMENS : 910 Rated  
 BULB : 1 x 13W Fluorescent GU24 , 13W Total  
 BULB INCLUDED : (Included)  
 DIMMABLE : No

**FINISHES OPTION**

 Artesian Bronze

**GLASS**

Wisp WP

**MATERIAL**

Die Cast Aluminum

**RATINGS**

Wet Location



**ADDITIONAL**

OPERATING TEMPERATURE:  
 -20°C (-4°F), 40°C (104°F)

Always consult a qualified electrician before installing any lighting product.



**WESTERN DISTRIBUTION CENTER (HEADQUARTER)**  
 253 NORTH VINELAND AVE | CITY OF INDUSTRY, CA 91746  
**EASTERN DISTRIBUTION CENTER**  
 4200 SHIRLEY DR. | ATLANTA, GA 30336  
 P. 626.956.4200 | F. 626.956.4225 | maximlighting.com