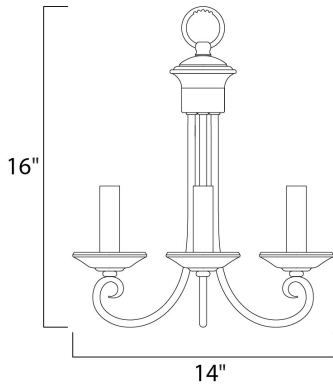




**PRODUCT DESCRIPTION**

Simple yet stylish, this collection is perfect for any decor. Offered in Oil Rubbed Bronze or Satin Nickel finishes.



**MEASUREMENTS**

DIMENSION : 14" W x 16" H  
 HANGING WEIGHT : 3.66 lb

**LAMPING**

LUMENS : 2,016 Rated  
 BULB : 3 x 60W Incandescent CA , 180W Total  
 DIMMABLE : Yes  
 COLOR\_TEMP : 2700K

**FINISHES OPTION**

-  Oil Rubbed Bronze
-  Polished Nickel
-  Satin Nickel

**MATERIAL**

Steel

**RATINGS**

cETLus  
 Dry Location



**ADDITIONAL**

RATED LIFE 1500 Hours  
 OPERATING TEMPERATURE:  
 -20°C (-4°F), 40°C (104°F)

Always consult a qualified electrician before installing any lighting product.



**WESTERN DISTRIBUTION CENTER (HEADQUARTER)**  
 253 NORTH VINELAND AVE | CITY OF INDUSTRY, CA 91746  
**EASTERN DISTRIBUTION CENTER**  
 4200 SHIRLEY DR. | ATLANTA, GA 30336  
 P. 626.956.4200 | F. 626.956.4225 | maximlighting.com