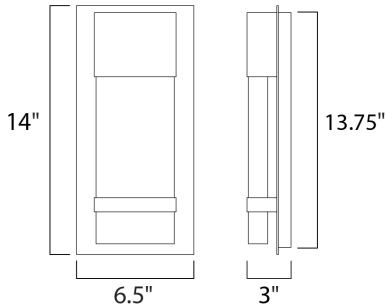




**PRODUCT DESCRIPTION**

This popular outdoor collection gets an improved facelift and has additional sizes for a more complete collection. The Black finish presents a dramatic background for the solid block of Bubble Glass that is brightly illuminated by the LED concealed in the top housing.



**MEASUREMENTS**

DIMENSION : 6.5" W x 13.75" H x 2.5" Ext  
 BACK PLATE : 6.5" W x 13.75" H x 6.5" HCO  
 HANGING WEIGHT : 4.13 lb

**LAMPING**

INPUT VOLTAGE : 120V  
 LUMENS : 600 Rated (550 Del.)  
 BULB : 1 x 12W LED PCB Integrated , 12W Total  
 BULB INCLUDED : (Integrated)  
 DIMMABLE : NO  
 CRI : 90+ CRI  
 COLOR\_TEMP : 3000K

**FINISHES OPTION**

 Black

**GLASS**

Bubble Glass BG

**MATERIAL**

Aluminum + Glass

**RATINGS**

cETLus  
 Wet Location  
 ADA



**ADDITIONAL**

INSTALL UP/DOWN: Up  
 OPERATING TEMPERATURE:  
 -20°C (-4°F), 40°C (104°F)

Always consult a qualified electrician before installing any lighting product.



**WESTERN DISTRIBUTION CENTER (HEADQUARTER)**  
 253 NORTH VINELAND AVE | CITY OF INDUSTRY, CA 91746

**EASTERN DISTRIBUTION CENTER**  
 4200 SHIRLEY DR. | ATLANTA, GA 30336

P. 626.956.4200 | F. 626.956.4225 | maximlighting.com