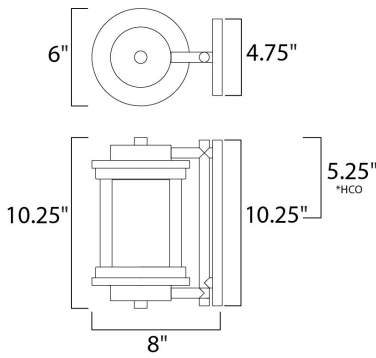




PRODUCT DESCRIPTION



*height from center of outlet to the top of the fixture

MEASUREMENTS

DIMENSION : 6" W x 10.25" H x 8" Ext
 BACK PLATE : 4.75" W x 10.25" H x 5.25" HCO
 HANGING WEIGHT : 3.8 lb

LAMPING

INPUT VOLTAGE : 120V
 LUMENS : 800 Rated
 BULB : 1 x 9W LED GU24 , 9W Total
 BULB INCLUDED : (Included)
 DIMMABLE : Triac CL
 CRI : 80+ CRI
 COLOR_TEMP : 3000K

FINISHES OPTION

 Anthracite

GLASS

Clear and Frosted CLFT

MATERIAL

Die Cast Aluminum

RATINGS

cETLus
 Wet Location



ADDITIONAL

RATED LIFE 25000 Hours
 OPERATING TEMPERATURE:
 -20°C (-4°F), 40°C (104°F)

Always consult a qualified electrician before installing any lighting product.



WESTERN DISTRIBUTION CENTER (HEADQUARTER)
 253 NORTH VINELAND AVE | CITY OF INDUSTRY, CA 91746
EASTERN DISTRIBUTION CENTER
 4200 SHIRLEY DR. | ATLANTA, GA 30336
 P. 626.956.4200 | F. 626.956.4225 | maximlighting.com