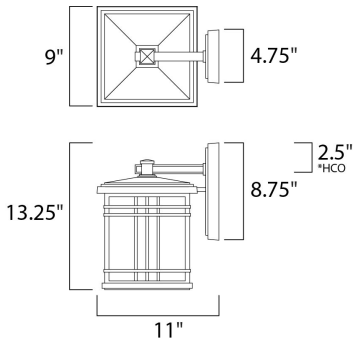




PRODUCT DESCRIPTION



*height from center of outlet to the top of the fixture

MEASUREMENTS

DIMENSION : 9" W x 13.25" H x 11" Ext
 BACK PLATE : 4.75" W x 8.75" H x 2.5" HCO
 HANGING WEIGHT : 6.38 lb

LAMPING

LUMENS : 800 Rated
 BULB : 1 x 9W LED LED , 9W Total
 BULB INCLUDED : (Included)
 DIMMABLE :

FINISHES OPTION

 Earth Tone

GLASS

Frosted Seedy FS

RATINGS

Wet Location



ADDITIONAL

OPERATING TEMPERATURE:
 -20°C (-4°F), 40°C (104°F)

Always consult a qualified electrician before installing any lighting product.



WESTERN DISTRIBUTION CENTER (HEADQUARTER)
 253 NORTH VINELAND AVE | CITY OF INDUSTRY, CA 91746

EASTERN DISTRIBUTION CENTER
 4200 SHIRLEY DR. | ATLANTA, GA 30336

P. 626.956.4200 | F. 626.956.4225 | maximlighting.com