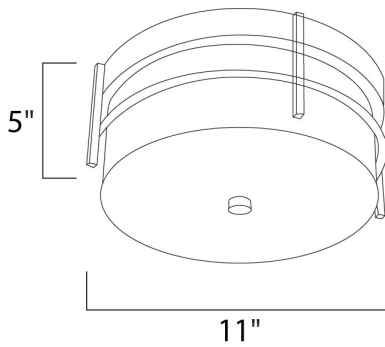




PRODUCT DESCRIPTION



MEASUREMENTS

DIMENSION : 11" W x 5" H
 HANGING WEIGHT : 4.07 lb

LAMPING

INPUT VOLTAGE : 120V
 LUMENS : 1,600 Rated
 BULB : 2 x 9W LED LED , 18W Total
 BULB INCLUDED : (Included)
 DIMMABLE : Electronic Low Voltage (ELV)
 CRI : 80+ CRI
 COLOR_TEMP : 3000K

FINISHES OPTION

 Brushed Metal

GLASS

White WT

MATERIAL

Aluminum

RATINGS

Damp Location



ADDITIONAL

RATED LIFE 25000 Hours
 OPERATING TEMPERATURE:
 -20°C (-4°F), 40°C (104°F)

Always consult a qualified electrician before installing any lighting product.



WESTERN DISTRIBUTION CENTER (HEADQUARTER)
 253 NORTH VINELAND AVE | CITY OF INDUSTRY, CA 91746

EASTERN DISTRIBUTION CENTER
 4200 SHIRLEY DR. | ATLANTA, GA 30336

P. 626.956.4200 | F. 626.956.4225 | maximlighting.com