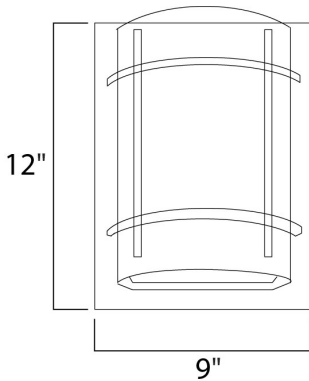




**PRODUCT DESCRIPTION**




**MEASUREMENTS**

DIMENSION : 9" W x 12" H x 4" Ext  
 BACK PLATE : 8" W x 11" H x 7" HCO  
 HANGING WEIGHT : 3 lb

**LAMPING**

INPUT VOLTAGE : 120V  
 LUMENS : 800 Rated  
 BULB : 1 x 9W LED LED , 9W Total  
 BULB INCLUDED : (Included)  
 DIMMABLE : Electronic Low Voltage (ELV)  
 CRI : 80+ CRI  
 COLOR\_TEMP : 3000K

**FINISHES OPTION**

 Brushed Metal

**GLASS**

White WT

**MATERIAL**

Aluminum

**RATINGS**

Wet Location



**ADDITIONAL**

INSTALL UP/DOWN: Up  
 RATED LIFE 25000 Hours  
 OPERATING TEMPERATURE:  
 -20°C (-4°F), 40°C (104°F)

Always consult a qualified electrician before installing any lighting product.



**WESTERN DISTRIBUTION CENTER (HEADQUARTER)**  
 253 NORTH VINELAND AVE | CITY OF INDUSTRY, CA 91746  
**EASTERN DISTRIBUTION CENTER**  
 4200 SHIRLEY DR. | ATLANTA, GA 30336  
 P. 626.956.4200 | F. 626.956.4225 | maximlighting.com