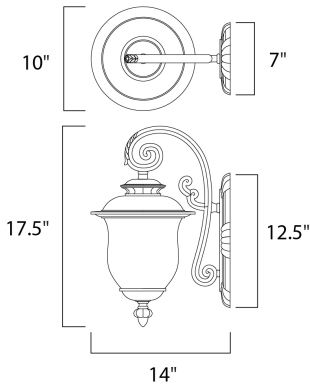




PRODUCT DESCRIPTION



MEASUREMENTS

DIMENSION : 10" W x 17.5" H x 14" Ext
 BACK PLATE : 7" W x 13" H x 11.5" HCO
 HANGING WEIGHT : 6.79 lb

LAMPING

INPUT VOLTAGE : 120V
 LUMENS : 800 Rated
 BULB : 1 x 9W LED LED , 9W Total
 BULB INCLUDED : (Included)
 DIMMABLE :
 CRI : 80+ CRI
 COLOR_TEMP : 3000K

FINISHES OPTION

 Chocolate

GLASS

Frost Crackle FC

RATINGS

Wet Location



ADDITIONAL

RATED LIFE 25000 Hours
 OPERATING TEMPERATURE:
 -20°C (-4°F), 40°C (104°F)

Always consult a qualified electrician before installing any lighting product.



WESTERN DISTRIBUTION CENTER (HEADQUARTER)
 253 NORTH VINELAND AVE | CITY OF INDUSTRY, CA 91746

EASTERN DISTRIBUTION CENTER
 4200 SHIRLEY DR. | ATLANTA, GA 30336

P. 626.956.4200 | F. 626.956.4225 | maximlighting.com