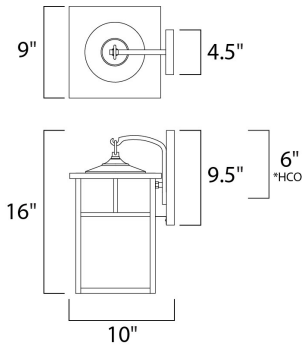




PRODUCT DESCRIPTION:

Coldwater is a traditional, craftsman/mission style LED collection from Maxim Lighting International in Burnished with Honey glass.



*height from center of outlet to the top of the fixture

MEASUREMENTS:

<u>Width</u>	<u>Height</u>	<u>Extension</u>
9.00"	16.00"	10.00"
<u>BP Width</u>	<u>BP Height</u>	<u>HCO</u>
4.50"	9.50"	6.00"
<u>Hanging Weight</u>		
3.02 lb		

LAMPING:

1.00 of Bulbs	1,100 RATED LUMENS
12W	COLOR TEMPERATURE: 3000
12 TOTAL WATTAGE	INPUT VOLTAGE: 120
80+ CRI	
DIMMABLE : Triac CL	

FINISHES OPTION:

Burnished BU



GLASS:

Honey HO

MATERIAL:

Steel + Aluminum

CERTIFICATION:

Wet Location



ADDITIONAL:

GU24 LED (INCLUDED)
 RATED LIFE 25000 Hours
 OPERATING TEMPERATURE:
 -20°C (-4°F), 40°C (104°F)

Always consult a qualified electrician before installing any lighting product.



WESTERN DISTRIBUTION CENTER (HEADQUARTER)
 253 NORTH VINELAND AVE | CITY OF INDUSTRY, CA 91746
EASTERN DISTRIBUTION CENTER
 4200 SHIRLEY DR. | ATLANTA, GA 30336
 P. 626.956.4200 | F. 626.956.4225 | maximlighting.com