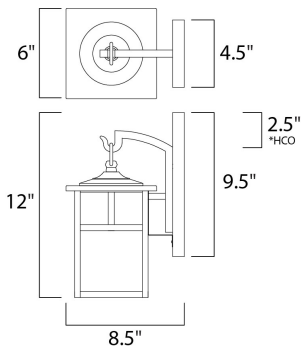




PRODUCT DESCRIPTION

Coldwater is a traditional, craftsman/mission style LED collection from Maxim Lighting International in Burnished with Honey glass.



*height from center of outlet to the top of the fixture

MEASUREMENTS

DIMENSION : 6." W x 12." H x 8.5" Ext
 BACK PLATE : 4.5" W x 9.5" H x 2.5" HCO
 HANGING WEIGHT : 2.3 lb

LAMPING

INPUT VOLTAGE : 120V
 LUMENS : 800 Rated
 BULB : 1 x 9W LED (INCLUDED), 9W Total
 DIMMABLE : Dimmable
 CRI : 80+ CRI
 COLOR_TEMP : 3000K

FINISHES OPTION

Burnished BU



GLASS

Honey HO

MATERIAL

Steel + Aluminum

RATINGS

Wet Location
 Dimmable
 LED



ADDITIONAL

INSTALL UP/DOWN:
 RATED LIFE 25000 Hours
 OPERATING TEMPERATURE:
 -20°C (-4°F), 40°C (104°F)

Always consult a qualified electrician before installing any lighting product.



WESTERN DISTRIBUTION CENTER (HEADQUARTER)
 253 NORTH VINELAND AVE | CITY OF INDUSTRY, CA 91746
EASTERN DISTRIBUTION CENTER
 4200 SHIRLEY DR. | ATLANTA, GA 30336
 P. 626.956.4200 | F. 626.956.4225 | maximlighting.com