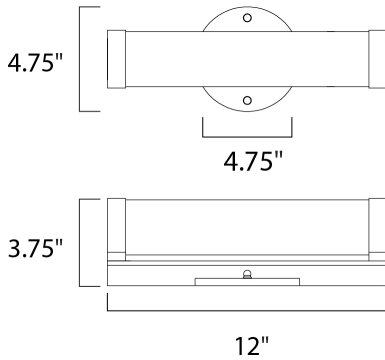


PRODUCT DESCRIPTION

Contemporary lighting with energy saving technology. This product features T5 circline lamping producing 30% more light than standard T9. The classic metal frame is finished in Satin Nickel and the heavy twist lock Frost glass evenly diffuses the light.



MEASUREMENTS

DIMENSION : 14" W x 3" H
 HANGING WEIGHT : 5.51 lb

LAMPING

BULB : 1 x 32W Fluorescent T5 , 0W Total
 BULB INCLUDED : (Included)
 DIMMABLE : Triac CL

FINISHES OPTION

-  Polished Chrome
-  Satin Nickel

GLASS

Frosted FT

MATERIAL

Polycarbonate + Steel

RATINGS

cETLus
 Dry Location



ADDITIONAL

OPERATING TEMPERATURE:
 -20°C (-4°F), 40°C (104°F)

Always consult a qualified electrician before installing any lighting product.



WESTERN DISTRIBUTION CENTER (HEADQUARTER)
 253 NORTH VINELAND AVE | CITY OF INDUSTRY, CA 91746

EASTERN DISTRIBUTION CENTER
 4200 SHIRLEY DR. | ATLANTA, GA 30336

P. 626.956.4200 | F. 626.956.4225 | maximlighting.com