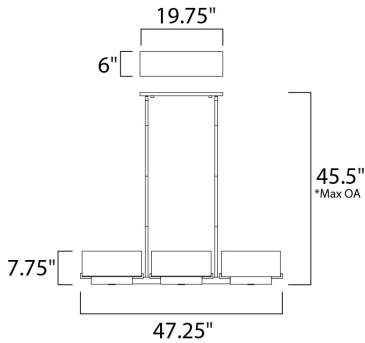


**PRODUCT DESCRIPTION**

Classic straight lines and large scale makes this collection an excellent candidate for light commercial applications. Dual LED downlights are encased in each rectangular font which is finished in a dark Bronze and contrasted nicely with a soft white Linen shade. This collection is 100% LED for low maintenance and energy efficiency.



\*max overall height


**MEASUREMENTS**

DIMENSION : 47.25" L x 13.75" W x 7.75" H  
 MAX OAH : 45.5" OAH  
 CANOPY : 6" W x 0.75" H x 19.75" L  
 HANGING WEIGHT : 26.62 lb

**LAMPING**

INPUT VOLTAGE : 120V  
 LUMENS : 5,740 Rated  
 BULB : 8 x 9W LED LED , 0W Total  
 BULB INCLUDED : (Included)  
 DIMMABLE : Triac CL  
 CRI : 90+ CRI  
 COLOR\_TEMP : 3000K

**FINISHES OPTION**

 Dark Bronze

**MATERIAL**

Steel

**RATINGS**

Dry Location



**ADDITIONAL**

ADJUSTABLE  
 OPERATING TEMPERATURE:  
 -20°C (-4°F), 40°C (104°F)

Always consult a qualified electrician before installing any lighting product.



**WESTERN DISTRIBUTION CENTER (HEADQUARTER)**  
 253 NORTH VINELAND AVE | CITY OF INDUSTRY, CA 91746  
**EASTERN DISTRIBUTION CENTER**  
 4200 SHIRLEY DR. | ATLANTA, GA 30336  
 P. 626.956.4200 | F. 626.956.4225 | maximlighting.com