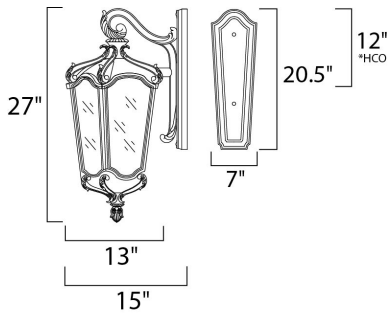




PRODUCT DESCRIPTION

Maxim Lighting's Bastille VX Collection is made with Vivex, a material twice the strength of resin, is non-corrosive, UV resistant and backed with a 5-Year Limited Warranty. Bastille VX features our Walnut finish and Night Shade glass.



*height from center of outlet to the top of the fixture

MEASUREMENTS

- DIMENSION : 13" W x 27" H x 15" Ext
- BACK PLATE : 7" W x 20.5" H x 12" HCO
- HANGING WEIGHT : 12.57 lb

LAMPING

- INPUT VOLTAGE : 120V
- LUMENS : 2,016 Rated
- BULB : 3 x 60W Incandescent CA , 180W Total
- DIMMABLE : Standard Dimmer
- COLOR_TEMP : 2700K

FINISHES OPTION

-  Walnut

GLASS

Clear Night CN

MATERIAL

Vivex

RATINGS

Wet Location



ADDITIONAL

RATED LIFE 1500 Hours

Always consult a qualified electrician before installing any lighting product.



WESTERN DISTRIBUTION CENTER (HEADQUARTER)
253 NORTH VINELAND AVE | CITY OF INDUSTRY, CA 91746

EASTERN DISTRIBUTION CENTER
4200 SHIRLEY DR. | ATLANTA, GA 30336

P. 626.956.4200 | F. 626.956.4225 | maximlighting.com