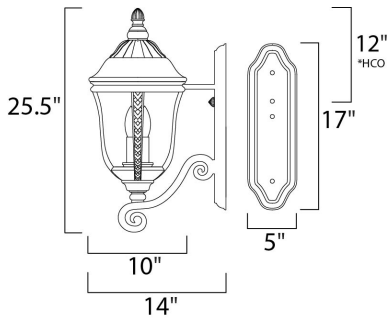




PRODUCT DESCRIPTION

Maxim Lighting's Whittier VX Collection is made with Vivex, a material twice the strength of resin, is non-corrosive, UV resistant and backed with a 5-Year Limited Warranty. Whittier VX features our Earth Tone finish and Water Glass.



*height from center of outlet to the top of the fixture

MEASUREMENTS

- DIMENSION : 10" W x 25.5" H x 14" Ext
- BACK PLATE : 5" W x 17" H x 12" HCO
- HANGING WEIGHT : 8.59794 lb

LAMPING

- INPUT VOLTAGE : 120V
- LUMENS : 2,016 Rated
- BULB : 3 x 40W Incandescent CA , 120W Total
- DIMMABLE : Standard Dimmer
- COLOR_TEMP : 2700K

FINISHES OPTION

- Earth Tone

GLASS

Water Glass WG

MATERIAL

Vivex

RATINGS

Wet Location



ADDITIONAL

RATED LIFE 1500 Hours

Always consult a qualified electrician before installing any lighting product.



WESTERN DISTRIBUTION CENTER (HEADQUARTER)
253 NORTH VINELAND AVE | CITY OF INDUSTRY, CA 91746

EASTERN DISTRIBUTION CENTER
4200 SHIRLEY DR. | ATLANTA, GA 30336

P. 626.956.4200 | F. 626.956.4225 | maximlighting.com