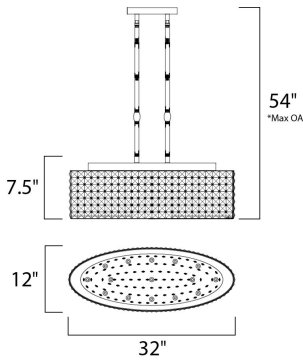




**PRODUCT DESCRIPTION**

Drums of square Beveled Crystal are connected together as a vision of beauty. Crystal strands line the inside of the fixture for added shimmer. Polished Chrome hardware adds a reflective quality to the overall look.



\*max overall height

**MEASUREMENTS**

DIMENSION : 32" L x 12" W x 7.5" H  
 MAX OAH : 54" OAH  
 HANGING WEIGHT : 22 lb

**LAMPING**

INPUT VOLTAGE : 120V  
 LUMENS : 0 Rated  
 BULB : 15 x 40W Xenon G9 , 600W Total  
 BULB INCLUDED : (Included)  
 DIMMABLE : Yes

**FINISHES OPTION**

 Polished Chrome

**GLASS**

Beveled Crystal BC

**MATERIAL**

Steel + Crystal

**RATINGS**

cETLus  
 Dry Location



**ADDITIONAL**

SLOPE: 120  
 RATED LIFE 2000 Hours  
 OPERATING TEMPERATURE:  
 -20°C (-4°F), 40°C (104°F)

Always consult a qualified electrician before installing any lighting product.



**WESTERN DISTRIBUTION CENTER (HEADQUARTER)**  
 253 NORTH VINELAND AVE | CITY OF INDUSTRY, CA 91746  
**EASTERN DISTRIBUTION CENTER**  
 4200 SHIRLEY DR. | ATLANTA, GA 30336  
 P. 626.956.4200 | F. 626.956.4225 | maximlighting.com