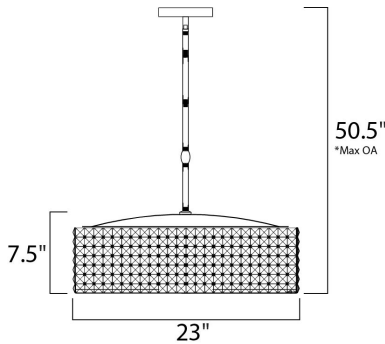




PRODUCT DESCRIPTION

Drums of square Beveled Crystal are connected together as a vision of beauty. Crystal strands line the inside of the fixture for added shimmer. Polished Chrome hardware adds a reflective quality to the overall look.



*max overall height

MEASUREMENTS

DIMENSION : 23" W x 7.5" H
 MAX OAH : 50.5" OAH
 HANGING WEIGHT : 24.2 lb

LAMPING

INPUT VOLTAGE : 120V
 LUMENS : 0 Rated
 BULB : 12 x 40W Xenon G9 , 480W Total
 BULB INCLUDED : (Included)
 DIMMABLE : Yes

FINISHES OPTION

 Polished Chrome

GLASS

Beveled Crystal BC

MATERIAL

Steel + Crystal

RATINGS

cETLus
 Dry Location



ADDITIONAL

SLOPE: 120
 RATED LIFE 2000 Hours
 OPERATING TEMPERATURE:
 -20°C (-4°F), 40°C (104°F)

Always consult a qualified electrician before installing any lighting product.



WESTERN DISTRIBUTION CENTER (HEADQUARTER)
 253 NORTH VINELAND AVE | CITY OF INDUSTRY, CA 91746

EASTERN DISTRIBUTION CENTER
 4200 SHIRLEY DR. | ATLANTA, GA 30336

P. 626.956.4200 | F. 626.956.4225 | maximlighting.com