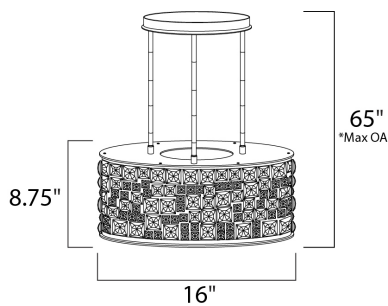




PRODUCT DESCRIPTION

A stately collection of laser cut steel finished in Luster Bronze and adorned with beveled FlambÃ© Crystals In Cognac, Mirror, and Clear arranged in an abstract pattern. These crystals are also found on the bottom of each fixture, creating a spectacular finish to this high-end collection.



*max overall height

MEASUREMENTS

DIMENSION : 16" L x 16" W x 8.75" H
 MAX OAH : 65" OAH
 HANGING WEIGHT : 34.76 lb

LAMPING

INPUT VOLTAGE : 120V
 LUMENS : 0 Rated
 BULB : 6 x 40W Xenon G9 , 240W Total
 BULB INCLUDED : (Included)
 DIMMABLE : Yes

FINISHES OPTION

 Luster Bronze

GLASS

Jewel Crystal JC

MATERIAL

Steel + Crystal

RATINGS

Dry Location



ADDITIONAL

RATED LIFE 2000 Hours
 OPERATING TEMPERATURE:
 -20°C (-4°F), 40°C (104°F)

Always consult a qualified electrician before installing any lighting product.



WESTERN DISTRIBUTION CENTER (HEADQUARTER)
 253 NORTH VINELAND AVE | CITY OF INDUSTRY, CA 91746
EASTERN DISTRIBUTION CENTER
 4200 SHIRLEY DR. | ATLANTA, GA 30336
 P. 626.956.4200 | F. 626.956.4225 | maximlighting.com