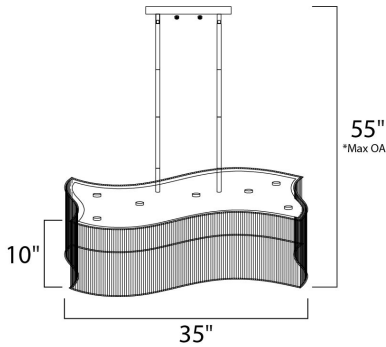




PRODUCT DESCRIPTION

Swizzle collection's gently curved frames of Polished Chrome support twisted Clear glass rods that shimmer in front of the natural light of the included xenon lamps. The interior of the fixture is draped with strands of clear beveled crystal that sparkle from below.



*max overall height


MEASUREMENTS

DIMENSION : 35.75" L x 11.75" W x 10" H
 MAX OAH : 55" OAH
 HANGING WEIGHT : 35.2 lb

LAMPING

INPUT VOLTAGE : 120V
 LUMENS : 3,840 Rated
 BULB : 16 x 25W Xenon G9 , 400W Total
 BULB INCLUDED : (Included)
 DIMMABLE : Yes
 COLOR_TEMP : 2900K

FINISHES OPTION

 Polished Chrome

GLASS

Clear CL

MATERIAL

Metal, Glass

RATINGS

cETLus
 Dry Location



ADDITIONAL

SLOPE: 120
 RATED LIFE 2000 Hours
 OPERATING TEMPERATURE:
 -20°C (-4°F), 40°C (104°F)

Always consult a qualified electrician before installing any lighting product.



WESTERN DISTRIBUTION CENTER (HEADQUARTER)
 253 NORTH VINELAND AVE | CITY OF INDUSTRY, CA 91746

EASTERN DISTRIBUTION CENTER
 4200 SHIRLEY DR. | ATLANTA, GA 30336

P. 626.956.4200 | F. 626.956.4225 | maximlighting.com