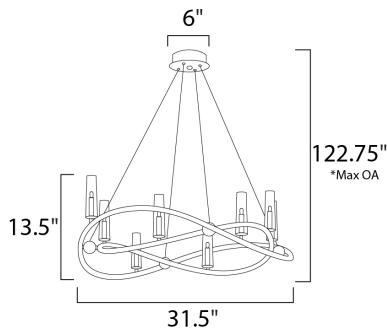




**PRODUCT DESCRIPTION**

Round tubing of Golden Silver gracefully weave to form a unique and interesting design. Tapered Clear crystal fonts are strategically placed to give balance and even illumination.



\*max overall height

**MEASUREMENTS**

- DIMENSION : 36.75" L x 36.75" W x 14.25" H
- MAX OAH : 122.5" OAH
- CANOPY : 6" W x 1" H x 6" L
- HANGING WEIGHT : 17.71 lb

**LAMPING**

- LUMENS : 3,920 Rated
- BULB : 8 x 40W Xenon G9 , 320W Total
- BULB INCLUDED : (Included)
- DIMMABLE : Yes

**FINISHES OPTION**

-  Golden Silver

**GLASS**

- Clear CL

**MATERIAL**

- Metal

**RATINGS**

- Dry Location



**ADDITIONAL**

- ADJUSTABLE OPERATING TEMPERATURE: -20°C (-4°F), 40°C (104°F)

Always consult a qualified electrician before installing any lighting product.



**WESTERN DISTRIBUTION CENTER (HEADQUARTER)**  
253 NORTH VINELAND AVE | CITY OF INDUSTRY, CA 91746

**EASTERN DISTRIBUTION CENTER**  
4200 SHIRLEY DR. | ATLANTA, GA 30336

P. 626.956.4200 | F. 626.956.4225 | maximlighting.com