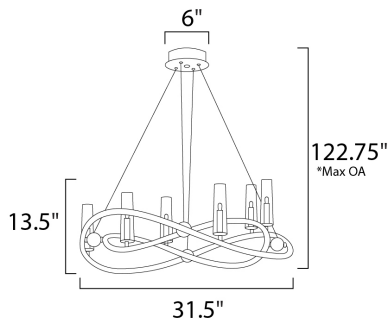




**PRODUCT DESCRIPTION**

Round tubing of Golden Silver gracefully weave to form a unique and interesting design. Tapered Clear crystal fonts are strategically placed to give balance and even illumination.



\*max overall height

**MEASUREMENTS**

- DIMENSION : 31.5" L x 31.5" W x 13.5" H
- MAX OAH : 122.75" OAH
- CANOPY : 6" W x 1" H x 6" L
- HANGING WEIGHT : 12.98 lb

**LAMPING**

- LUMENS : 2,940 Rated
- BULB : 6 x 40W Xenon G9 , 240W Total
- BULB INCLUDED : (Included)
- DIMMABLE : Yes

**FINISHES OPTION**



**GLASS**

Clear CL

**MATERIAL**

Metal

**RATINGS**

cULus  
Dry Location



**ADDITIONAL**

ADJUSTABLE  
OPERATING TEMPERATURE:  
-20°C (-4°F), 40°C (104°F)

Always consult a qualified electrician before installing any lighting product.



**WESTERN DISTRIBUTION CENTER (HEADQUARTER)**  
253 NORTH VINELAND AVE | CITY OF INDUSTRY, CA 91746

**EASTERN DISTRIBUTION CENTER**  
4200 SHIRLEY DR. | ATLANTA, GA 30336

P. 626.956.4200 | F. 626.956.4225 | maximlighting.com