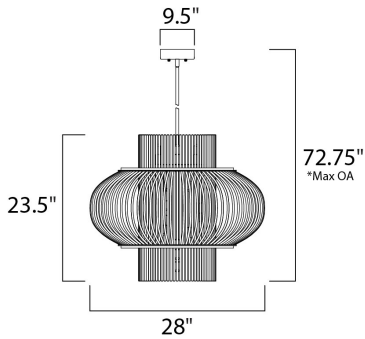




**PRODUCT DESCRIPTION**

Heavy weight steel cages support a circular band of individual glass rods which run beyond the entire height of the fixtures. A spiraling cluster of G9 LED bulbs refract light in an unusual pattern creating a lighting effect sure to create attention. You can chose between the rounds style in Anthracite and Clear rods or the more transitional faceted shape in Oil Rubbed Bronze with Cognac rods.



\*max overall height

**MEASUREMENTS**

DIMENSION : 28" L x 28" W x 23.5" H  
 MAX OAH : 72.75" OAH  
 CANOPY : 9.45" W x 1.38" H x 9.45" L  
 HANGING WEIGHT : 42.98 lb

**LAMPING**

INPUT VOLTAGE : 120V  
 LUMENS : 2,730 Rated  
 BULB : 13 x 3W LED G9 , 39W Total  
 BULB INCLUDED : (Included)  
 DIMMABLE : Triac CL  
 CRI : 80+ CRI  
 COLOR\_TEMP : 3500K

**FINISHES OPTION**

 Anthracite

**GLASS**

Clear CL

**MATERIAL**

Steel

**RATINGS**

Dry Location



**ADDITIONAL**

ADJUSTABLE  
 SLOPE: 120  
 OPERATING TEMPERATURE:  
 -20°C (-4°F), 40°C (104°F)

Always consult a qualified electrician before installing any lighting product.



**WESTERN DISTRIBUTION CENTER (HEADQUARTER)**  
 253 NORTH VINELAND AVE | CITY OF INDUSTRY, CA 91746

**EASTERN DISTRIBUTION CENTER**  
 4200 SHIRLEY DR. | ATLANTA, GA 30336

P. 626.956.4200 | F. 626.956.4225 | maximlighting.com