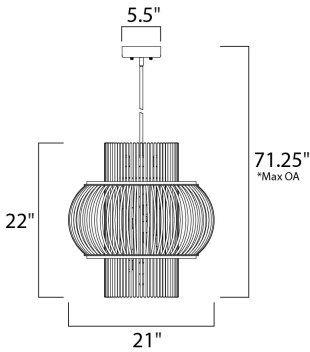




PRODUCT DESCRIPTION

Heavy weight steel cages support a circular band of individual glass rods which run beyond the entire height of the fixtures. A spiraling cluster of G9 LED bulbs refract light in an unusual pattern creating a lighting effect sure to create attention. You can chose between the rounds style in Anthracite and Clear rods or the more transitional faceted shape in Oil Rubbed Bronze with Cognac rods.



*max overall height

MEASUREMENTS

DIMENSION : 21" L x 21" W x 22" H
 MAX OAH : 71.25" OAH
 CANOPY : 5.51" W x 1.38" H x 5.51" L
 HANGING WEIGHT : 29.54 lb

LAMPING

INPUT VOLTAGE : 120V
 LUMENS : 2,730 Rated
 BULB : 13 x 3W LED G9 , 39W Total
 BULB INCLUDED : (Included)
 DIMMABLE : Triac CL
 CRI : 80+ CRI
 COLOR_TEMP : 3500K

FINISHES OPTION

 Anthracite

GLASS

Clear CL

MATERIAL

Steel

RATINGS

Dry Location



ADDITIONAL

ADJUSTABLE
 OPERATING TEMPERATURE:
 -20°C (-4°F), 40°C (104°F)

Always consult a qualified electrician before installing any lighting product.



WESTERN DISTRIBUTION CENTER (HEADQUARTER)
 253 NORTH VINELAND AVE | CITY OF INDUSTRY, CA 91746
EASTERN DISTRIBUTION CENTER
 4200 SHIRLEY DR. | ATLANTA, GA 30336
 P. 626.956.4200 | F. 626.956.4225 | maximlighting.com