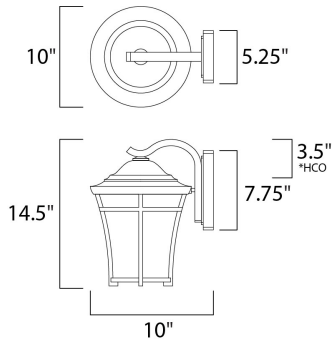




PRODUCT DESCRIPTION

This transitional design in Die Cast aluminum has a remarkable price point. Finished in Copper Oxide with a hand painted Lace glass and two lamping options of both fluorescent and incandescent versions available. Adds additional energy savings and long life.



MEASUREMENTS

DIMENSION : 10" W x 14.5" H x 12.25" Ext
 BACK PLATE : 5.25" W x 7.75" H x 3.5" HCO
 HANGING WEIGHT : 4.4 lb

LAMPING

INPUT VOLTAGE : 120V
 LUMENS : 0 Rated
 BULB : 1 x 60W Incandescent E26 Medium , 60W Total
 BULB INCLUDED : (Not Included)
 DIMMABLE : Yes

*height from center of outlet to the top of the fixture

FINISHES OPTION

 Copper Oxide

GLASS

Lace LA

MATERIAL

Aluminum + Glass

RATINGS

cETLus
 Wet Location



ADDITIONAL

OPERATING TEMPERATURE:
 -20°C (-4°F), 40°C (104°F)

Always consult a qualified electrician before installing any lighting product.



WESTERN DISTRIBUTION CENTER (HEADQUARTER)
 253 NORTH VINELAND AVE | CITY OF INDUSTRY, CA 91746
EASTERN DISTRIBUTION CENTER
 4200 SHIRLEY DR. | ATLANTA, GA 30336
 P. 626.956.4200 | F. 626.956.4225 | maximlighting.com