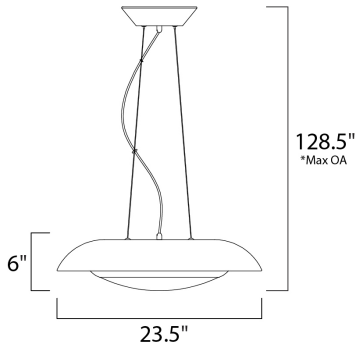




**PRODUCT DESCRIPTION**

Domes of metal house a circular light engine housing with a Crystalline diffuser. A dramatic lighting effect is created with in-direct light highlighting the foil lining while direct light shines through the sparkling center. Available in your choice of White with Silver Foil or Black with Gold Foil.



\*max overall height

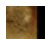

**MEASUREMENTS**

DIMENSION : 23.5" L x 23.5" W x 6" H  
 MAX OAH : 128.5" OAH  
 HANGING WEIGHT : 13.6 lb

**LAMPING**

LUMENS : 2,360 Rated  
 BULB : 1 x 33.6W LED PCB Integrated , 34W Total  
 BULB INCLUDED : (Integrated)  
 DIMMABLE : Triac CL  
 CRI : 80+ CRI  
 COLOR\_TEMP : 3000K

**FINISHES OPTION**

-  Gold Leaf / Black
-  Silver Leaf / White

**GLASS**

Crystalline CY

**MATERIAL**

Metal

**RATINGS**

cETLus  
 Dry Location



**ADDITIONAL**

ADJUSTABLE  
 OPERATING TEMPERATURE:  
 -20°C (-4°F), 40°C (104°F)

Always consult a qualified electrician before installing any lighting product.



**WESTERN DISTRIBUTION CENTER (HEADQUARTER)**  
 253 NORTH VINELAND AVE | CITY OF INDUSTRY, CA 91746  
**EASTERN DISTRIBUTION CENTER**  
 4200 SHIRLEY DR. | ATLANTA, GA 30336  
 P. 626.956.4200 | F. 626.956.4225 | maximlighting.com