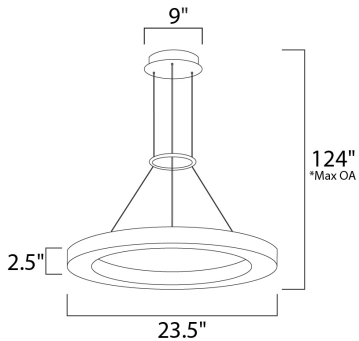


**PRODUCT DESCRIPTION**

Crystalline diffusers sparkle in the night illuminated by high powered LED. The Bronze metal frames soften the look and contrasts well with the brilliance of the diffuser. The collection features two size of round pendants including round and square ceiling mount styles.



\*max overall height

**MEASUREMENTS**

DIMENSION : 23.5" L x 23.5" W x 2.5" H  
 MAX OAH : 124" OAH  
 CANOPY : 9" W x 1.5" H x 9" L  
 HANGING WEIGHT : 13.23 lb

**LAMPING**

INPUT VOLTAGE : 120V  
 LUMENS : 3,024 Rated  
 BULB : 1 x 43.2W LED PCB Integrated , 43W Total  
 BULB INCLUDED : (Integrated)  
 DIMMABLE : Triac CL  
 CRI : 80+ CRI  
 COLOR\_TEMP : 3000K

**FINISHES OPTION**

 Bronze

**GLASS**

Crystal CRY

**MATERIAL**

Aluminum + Steel + Acrylic + Glass

**RATINGS**

cETLus  
 Dry Location



**ADDITIONAL**

SLOPE: 120  
 OPERATING TEMPERATURE:  
 -20°C (-4°F), 40°C (104°F)

Always consult a qualified electrician before installing any lighting product.



**WESTERN DISTRIBUTION CENTER (HEADQUARTER)**  
 253 NORTH VINELAND AVE | CITY OF INDUSTRY, CA 91746  
**EASTERN DISTRIBUTION CENTER**  
 4200 SHIRLEY DR. | ATLANTA, GA 30336  
 P. 626.956.4200 | F. 626.956.4225 | maximlighting.com