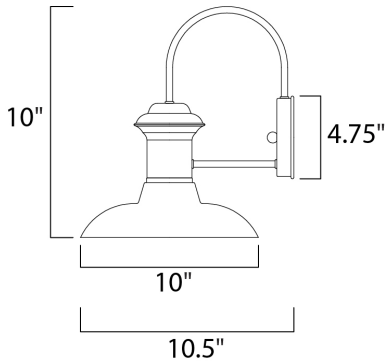




**PRODUCT DESCRIPTION**

Wharf is a transitional style collection from Maxim Lighting International, available in multiple finishes.



**MEASUREMENTS**

- DIMENSION : 10" W x 10" H x 10.5" Ext
- BACK PLATE : 4.75" W x 4.75" H x 8" HCO
- HANGING WEIGHT : 1.21 lb

**LAMPING**

- INPUT VOLTAGE : 120V
- LUMENS : 1,150 Rated
- BULB : 1 x 60W Incandescent E26 Medium , 60W Total
- BULB INCLUDED : (Not Included)
- DIMMABLE : Yes

**FINISHES OPTION**

- Empire Bronze
- Oriental Bronze
- Satin Nickel

**MATERIAL**

Aluminum

**RATINGS**

cETLus  
Wet Location



**ADDITIONAL**

RATED LIFE 2500 Hours  
OPERATING TEMPERATURE:  
-20°C (-4°F), 40°C (104°F)

Always consult a qualified electrician before installing any lighting product.



**WESTERN DISTRIBUTION CENTER (HEADQUARTER)**  
253 NORTH VINELAND AVE | CITY OF INDUSTRY, CA 91746

**EASTERN DISTRIBUTION CENTER**  
4200 SHIRLEY DR. | ATLANTA, GA 30336

P. 626.956.4200 | F. 626.956.4225 | maximlighting.com