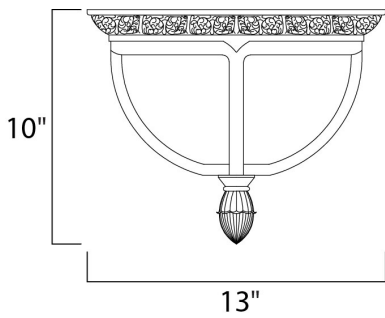




**PRODUCT DESCRIPTION**

Knob Hill Cast is a traditional, European style collection from Maxim Lighting International in Sienna finish with Seedy glass.



**MEASUREMENTS**

DIMENSION : 13" L x 13" W x 10" H  
 HANGING WEIGHT : 7.5 lb

**LAMPING**

INPUT VOLTAGE : 120V  
 LUMENS : 1,600 Rated  
 BULB : 2 x 40W Incandescent E26 Medium , 80W Total  
 BULB INCLUDED : (Not Included)  
 DIMMABLE : Yes

**FINISHES OPTION**

 Sienna

**GLASS**

Seedy CD

**MATERIAL**

Die Cast Aluminum

**RATINGS**

cETLus  
 Damp Location



**ADDITIONAL**

RATED LIFE 2500 Hours  
 OPERATING TEMPERATURE:  
 -20°C (-4°F), 40°C (104°F)

Always consult a qualified electrician before installing any lighting product.



**WESTERN DISTRIBUTION CENTER (HEADQUARTER)**  
 253 NORTH VINELAND AVE | CITY OF INDUSTRY, CA 91746

**EASTERN DISTRIBUTION CENTER**  
 4200 SHIRLEY DR. | ATLANTA, GA 30336

P. 626.956.4200 | F. 626.956.4225 | maximlighting.com