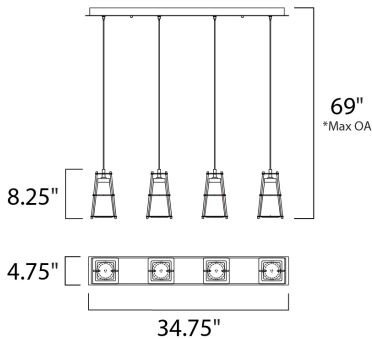




PRODUCT DESCRIPTION

Heavy weight hand blown Clear glass shades are cradled on a geometric metal frame of Polished Chrome. The glass comes to life when illuminated by dimmable LEDs which are cleverly concealed in the frame.



*max overall height of fixture

MEASUREMENTS

DIMENSION : 34.75" L x 4.75" W x 8.25" H
 MAX OAH : 69" OAH
 HANGING WEIGHT : 18.34 lb

LAMPING

INPUT VOLTAGE : 120V
 LUMENS : 784 Rated
 BULB : 4 x 2.8W LED LED , 11W Total
 BULB INCLUDED : (Included)
 DIMMABLE : Triac CL
 CRI : 80 CRI
 COLOR_TEMP : 3000K

FINISHES OPTION

 Polished Chrome

GLASS

Clear CL

MATERIAL

Metal

RATINGS

Dry Location



ADDITIONAL

RATED LIFE 40000 Hours
 OPERATING TEMPERATURE:
 -20°C (-4°F), 40°C (104°F)

Always consult a qualified electrician before installing any lighting product.



WESTERN DISTRIBUTION CENTER (HEADQUARTER)
 253 NORTH VINELAND AVE | CITY OF INDUSTRY, CA 91746
EASTERN DISTRIBUTION CENTER
 4200 SHIRLEY DR. | ATLANTA, GA 30336
 P. 626.956.4200 | F. 626.956.4225 | maximlighting.com