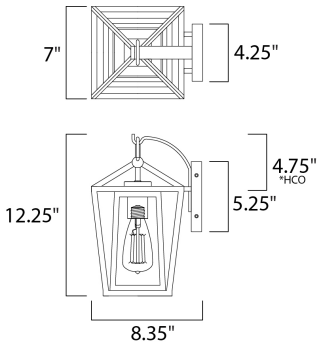




PRODUCT DESCRIPTION

This frame inside a frame design is the perfect update to this classically inspired outdoor lantern. Durable stainless steel construction is finished in Black and supports an inner frame of Clear panels of glass for a crisp and clean appearance.



*height from center of outlet to the top of the fixture

MEASUREMENTS

DIMENSION : 7" W x 12.25" H x 8.35" Ext
 BACK PLATE : 4.25" W x 5.25" H x 4.75" HCO
 HANGING WEIGHT : 2 lb

LAMPING

INPUT VOLTAGE : 120V
 LUMENS : 0 Rated
 BULB : 1 x 60W Incandescent E26 Medium , 60W Total
 BULB INCLUDED : (Not Included)
 DIMMABLE : Yes
 LIGHTING_DIRECTION : Down

FINISHES OPTION

 Black

GLASS

Clear CL

MATERIAL

Stainless steel

RATINGS

cETLus
 Wet Location



ADDITIONAL

OPERATING TEMPERATURE:
 -20°C (-4°F), 40°C (104°F)

Always consult a qualified electrician before installing any lighting product.



WESTERN DISTRIBUTION CENTER (HEADQUARTER)
 253 NORTH VINELAND AVE | CITY OF INDUSTRY, CA 91746
EASTERN DISTRIBUTION CENTER
 4200 SHIRLEY DR. | ATLANTA, GA 30336
 P. 626.956.4200 | F. 626.956.4225 | maximlighting.com