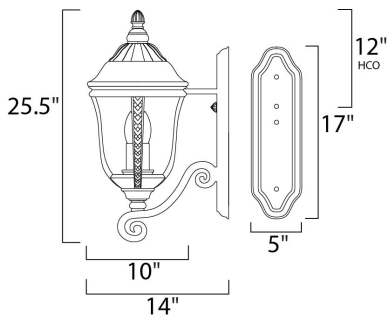




PRODUCT DESCRIPTION

Whittier Cast is a traditional, European style collection from Maxim Lighting International in Earth Tone finish with Water Glass glass.



MEASUREMENTS

DIMENSION : 10" W x 25.5" H x 14" Ext
 BACK PLATE : 5.5" W x 17" H x 12" HCO
 HANGING WEIGHT : 12.1 lb

LAMPING

INPUT VOLTAGE : 120V
 LUMENS : 2,016 Rated
 BULB : 3 x 40W Incandescent E12 Candelabra , 120W Total
 BULB INCLUDED : (Not Included)
 DIMMABLE : Yes

FINISHES OPTION

 Earth Tone

GLASS

Water Glass WG

MATERIAL

Die Cast Aluminum

RATINGS

cETLus
 Wet Location



ADDITIONAL

RATED LIFE 1500 Hours
 OPERATING TEMPERATURE:
 -20°C (-4°F), 40°C (104°F)

Always consult a qualified electrician before installing any lighting product.



WESTERN DISTRIBUTION CENTER (HEADQUARTER)
 253 NORTH VINELAND AVE | CITY OF INDUSTRY, CA 91746

EASTERN DISTRIBUTION CENTER
 4200 SHIRLEY DR. | ATLANTA, GA 30336

P. 626.956.4200 | F. 626.956.4225 | maximlighting.com