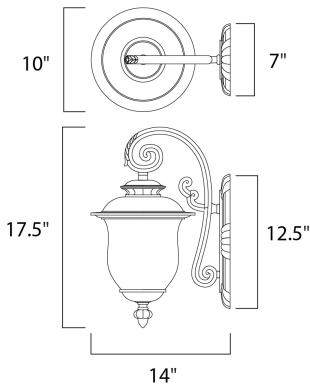




PRODUCT DESCRIPTION

Cambria Cast is a transitional style collection from Maxim Lighting International in Chocolate finish with Frost Crackle glass.



MEASUREMENTS

DIMENSION : 10" W x 17.5" H x 14" Ext
 BACK PLATE : 7" W x 13" H x 11.5" HCO
 HANGING WEIGHT : 8.82 lb

LAMPING

INPUT VOLTAGE : 120V
 LUMENS : 1,344 Rated
 BULB : 2 x 40W Incandescent E12 Candelabra , 80W Total
 BULB INCLUDED : (Not Included)
 DIMMABLE : Yes

FINISHES OPTION

 Chocolate

GLASS

Frost Crackle FC

MATERIAL

Die Cast Aluminum

RATINGS

Wet Location



ADDITIONAL

RATED LIFE 1500 Hours
 OPERATING TEMPERATURE:
 -20°C (-4°F), 40°C (104°F)

PHOTOMETRIC: Report Found Online

Always consult a qualified electrician before installing any lighting product.



WESTERN DISTRIBUTION CENTER (HEADQUARTER)
 253 NORTH VINELAND AVE | CITY OF INDUSTRY, CA 91746

EASTERN DISTRIBUTION CENTER
 4200 SHIRLEY DR. | ATLANTA, GA 30336

P. 626.956.4200 | F. 626.956.4225 | maximlighting.com