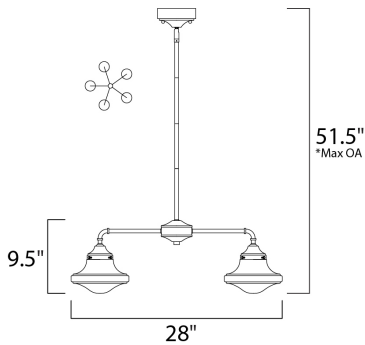




**PRODUCT DESCRIPTION**

This classic look was updated with modern day styling and technology. Tubular metal frames finished in Satin Nickel support school house glass shades in Satin White. Powered by dimmable LED modules this collection is the perfect marriage of ageless styling and space age technology.



\*max overall height

**MEASUREMENTS**

- DIMENSION : 28" L x 28" W x 9.5" H
- MAX OAH : 51.5" OAH
- CANOPY : 4.96" W x 2.44" H x 4.96" L
- HANGING WEIGHT : 9.7 lb

**LAMPING**

- INPUT VOLTAGE : 120V
- LUMENS : 2,600 Rated
- BULB : 5 x 33W LED PCB Integrated , 33W Total
- BULB INCLUDED : (Integrated)
- DIMMABLE : Triac CL
- CRI : 90+ CRI
- COLOR\_TEMP : 3000K

**FINISHES OPTION**



**GLASS**

Satin White SW

**MATERIAL**

Steel + Opal Glass

**RATINGS**

cETLus  
Dry Location



**ADDITIONAL**

SLOPE: 120  
OPERATING TEMPERATURE:  
-20°C (-4°F), 40°C (104°F)

Always consult a qualified electrician before installing any lighting product.



**WESTERN DISTRIBUTION CENTER (HEADQUARTER)**  
253 NORTH VINELAND AVE | CITY OF INDUSTRY, CA 91746  
**EASTERN DISTRIBUTION CENTER**  
4200 SHIRLEY DR. | ATLANTA, GA 30336  
P. 626.956.4200 | F. 626.956.4225 | maximlighting.com