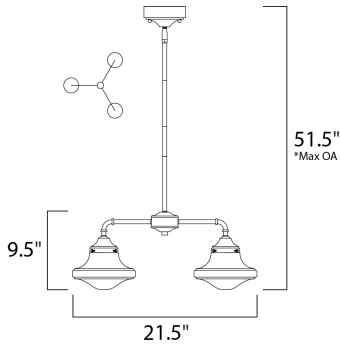




PRODUCT DESCRIPTION

This classic look was updated with modern day styling and technology. Tubular metal frames finished in Satin Nickel support school house glass shades in Satin White. Powered by dimmable LED modules this collection is the perfect marriage of ageless styling and space age technology.



*max overall height

MEASUREMENTS

- DIMENSION : 21.5" L x 21.5" W x 9.5" H
- MAX OAH : 51.5" OAH
- CANOPY : 4.96" W x 2.44" H x 4.96" L
- HANGING WEIGHT : 6.28 lb

LAMPING

- INPUT VOLTAGE : 120V
- LUMENS : 1,600 Rated
- BULB : 3 x 23W LED PCB Integrated , 23W Total
- BULB INCLUDED : (Integrated)
- DIMMABLE : Triac CL
- CRI : 90+ CRI
- COLOR_TEMP : 3000K

FINISHES OPTION



GLASS

Satin White SW

MATERIAL

Steel + Opal Glass

RATINGS

cETLus
Dry Location



ADDITIONAL

SLOPE: 120
OPERATING TEMPERATURE:
-20°C (-4°F), 40°C (104°F)

Always consult a qualified electrician before installing any lighting product.



WESTERN DISTRIBUTION CENTER (HEADQUARTER)
253 NORTH VINELAND AVE | CITY OF INDUSTRY, CA 91746

EASTERN DISTRIBUTION CENTER
4200 SHIRLEY DR. | ATLANTA, GA 30336

P. 626.956.4200 | F. 626.956.4225 | maximlighting.com