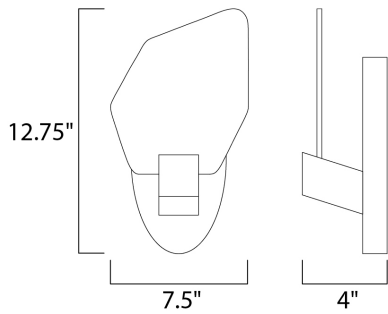




PRODUCT DESCRIPTION

Hand formed faceted spheres of faux Alabaster are cradled by metal frames finished in Bronze Gilt and Gold Leaf interior. These contemporary forms are illuminated by high powered LEDs to enhance the beauty of the marble and provide ample light.



MEASUREMENTS

DIMENSION : 7.5" W x 12.75" H x 4" Ext
 MAX OAH : 4.75" W x 9.5" H
 HANGING WEIGHT : 3.43 lb

LAMPING

LUMENS : 770 Rated
 BULB : 1 x LED AC Integrated , 11W Total
 BULB INCLUDED : (Integrated)
 DIMMABLE : Triac CL
 CRI : 90+ CRI
 COLOR_TEMP : 3000K

FINISHES OPTION

 Bronze Gilt / Gold

MATERIAL

Metal

RATINGS

cETLus
 Dry Location
 ADA



ADDITIONAL

INSTALL UP/DOWN: Up
 OPERATING TEMPERATURE:
 -20°C (-4°F), 40°C (104°F)

Always consult a qualified electrician before installing any lighting product.



WESTERN DISTRIBUTION CENTER (HEADQUARTER)
 253 NORTH VINELAND AVE | CITY OF INDUSTRY, CA 91746

EASTERN DISTRIBUTION CENTER
 4200 SHIRLEY DR. | ATLANTA, GA 30336

P. 626.956.4200 | F. 626.956.4225 | maximlighting.com