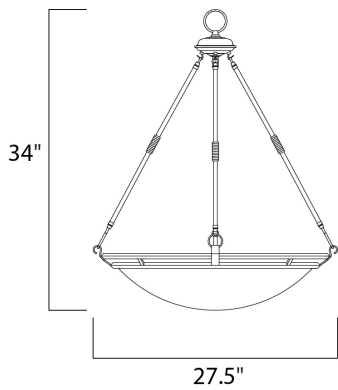




PRODUCT DESCRIPTION

Clean lines are simply stated in this collection. Offered in Marble glass with your choice of Bronze or Pewter finishes.



MEASUREMENTS

DIMENSION : 27.5" W x 30.5" H
 HANGING WEIGHT : 11.9 lb

LAMPING

LUMENS : 6,900 Rated
 BULB : 6 x 100W Incandescent MB , 0W Total
 BULB INCLUDED : (Not Included)
 DIMMABLE : Yes
 COLOR_TEMP : 2700K

FINISHES OPTION

-  Bronze
-  Pewter
-  Polished Chrome

MATERIAL

Steel

RATINGS

cULus
 Dry Location



ADDITIONAL

RATED LIFE 2500 Hours
 OPERATING TEMPERATURE:
 -20°C (-4°F), 40°C (104°F)

Always consult a qualified electrician before installing any lighting product.



WESTERN DISTRIBUTION CENTER (HEADQUARTER)
 253 NORTH VINELAND AVE | CITY OF INDUSTRY, CA 91746

EASTERN DISTRIBUTION CENTER
 4200 SHIRLEY DR. | ATLANTA, GA 30336

P. 626.956.4200 | F. 626.956.4225 | maximlighting.com