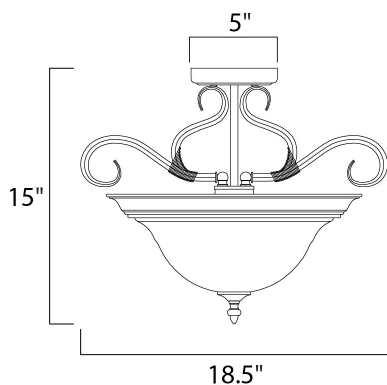




**PRODUCT DESCRIPTION**

Simple, elegant designs offered in a variety of our most popular finishes. Choose from Acorn, Country Stone, Pewter and Kentucky Bronze. Glass options are Marble and Wilshire.



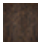



**MEASUREMENTS**

DIMENSION : 18.5" L x 18.5" W x 15" H  
 CANOPY : 5.25" W x 1" H x 5.25" L  
 HANGING WEIGHT : 7.05 lb

**LAMPING**

INPUT VOLTAGE : 120V  
 LUMENS : 2,400 Rated  
 BULB : 3 x 60W Incandescent E26 Medium , 180W Total  
 BULB INCLUDED : (Not Included)  
 DIMMABLE : Yes

**FINISHES OPTION**

-  Acorn
-  Country Stone
-  Kentucky Bronze
-  Pewter

**GLASS**

Marble MR

**MATERIAL**

Glass + Steel

**RATINGS**

cULus  
 Dry Location



**ADDITIONAL**

RATED LIFE 2500 Hours  
 OPERATING TEMPERATURE:  
 -20°C (-4°F), 40°C (104°F)

Always consult a qualified electrician before installing any lighting product.



**WESTERN DISTRIBUTION CENTER (HEADQUARTER)**  
 253 NORTH VINELAND AVE | CITY OF INDUSTRY, CA 91746  
**EASTERN DISTRIBUTION CENTER**  
 4200 SHIRLEY DR. | ATLANTA, GA 30336  
 P. 626.956.4200 | F. 626.956.4225 | maximlighting.com