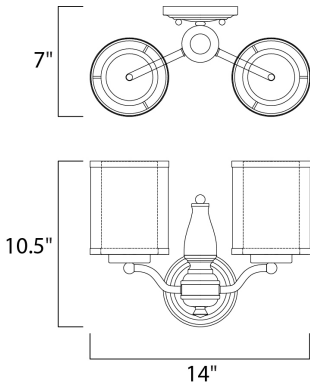




**PRODUCT DESCRIPTION**

Drum shades constructed from two layers of sheer Organza fabric laminated to clear inner liner, allows light to shine out as well as down. White glass cylinder shades diffuse light and conceal the light source. Available in your choice of 2 finish combinations, Silver Sheer shade on Satin Nickel and Tan Sheer shade on Oil Rubbed Bronze.



**MEASUREMENTS**

DIMENSION : 14" W x 11" H x 7" Ext  
 MAX OAH : 10.5" OAH 4.75" W x 1" H  
 HANGING WEIGHT : 3.17 lb

**LAMPING**

INPUT VOLTAGE : 120V  
 LUMENS : 0 Rated  
 BULB : 2 x 60W Incandescent E26 Medium , 120W Total  
 BULB INCLUDED : (Not Included)  
 DIMMABLE : Yes

**FINISHES OPTION**

-  Oil Rubbed Bronze
-  Satin Nickel

**MATERIAL**

Steel

**RATINGS**

Dry Location



**ADDITIONAL**

INSTALL UP/DOWN: Up  
 OPERATING TEMPERATURE:  
 -20°C (-4°F), 40°C (104°F)

Always consult a qualified electrician before installing any lighting product.



**WESTERN DISTRIBUTION CENTER (HEADQUARTER)**  
 253 NORTH VINELAND AVE | CITY OF INDUSTRY, CA 91746

**EASTERN DISTRIBUTION CENTER**  
 4200 SHIRLEY DR. | ATLANTA, GA 30336

P. 626.956.4200 | F. 626.956.4225 | maximlighting.com