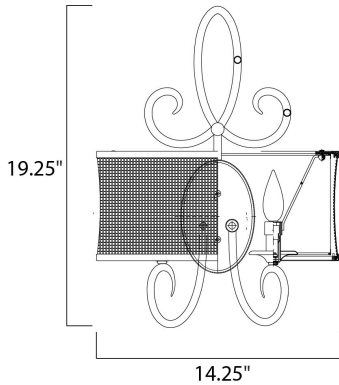




PRODUCT DESCRIPTION

Alexander collection is a fashion lighting at its best. Inspired by a world famous clothing designer, the collection features graceful scrolls of metal finished in Umber Bronze that support Shimmer Bronze metal fabric shades. Each shade is lined in a soft gold fabric that casts a warm glow from within the fixture. Dressed to kill, the Alexander collection will add beauty to any room environment.



MEASUREMENTS

DIMENSION : 14.25" W x 19.25" H x 9.5" Ext
 MAX OAH : 4.5" W x 6.75" H
 HANGING WEIGHT : 5.51 lb

LAMPING

INPUT VOLTAGE : 120V
 LUMENS : 1,344 Rated
 BULB : 2 x 60W Incandescent E12 Candelabra , 120W Total
 BULB INCLUDED : (Not Included)
 DIMMABLE : Yes
 COLOR_TEMP : 2700K

FINISHES OPTION

 Umber Bronze

MATERIAL

Metal

RATINGS

Dry Location



ADDITIONAL

RATED LIFE 1500 Hours
 OPERATING TEMPERATURE:
 -20°C (-4°F), 40°C (104°F)

Always consult a qualified electrician before installing any lighting product.



WESTERN DISTRIBUTION CENTER (HEADQUARTER)
 253 NORTH VINELAND AVE | CITY OF INDUSTRY, CA 91746

EASTERN DISTRIBUTION CENTER
 4200 SHIRLEY DR. | ATLANTA, GA 30336

P. 626.956.4200 | F. 626.956.4225 | maximlighting.com