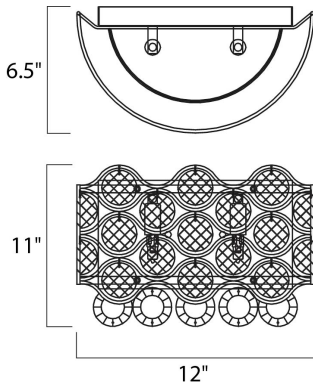




PRODUCT DESCRIPTION

Chains of faceted crystal rings are linked together by Polished Chrome jewelry bands that cascade from the top and through the fixture. The exterior shade of wave-like metal encases multi-faceted Beveled Crystal jewels, which sparkle from the light of the Xenon lamps included with each fixture.



MEASUREMENTS

DIMENSION : 12" W x 11" H x 6.5" Ext
 MAX OAH : 9.84" W x 5.5" H
 HANGING WEIGHT : 4.4 lb

LAMPING

INPUT VOLTAGE : 120V
 LUMENS : 0 Rated
 BULB : 2 x 40W Xenon G9 , 80W Total
 BULB INCLUDED : (Included)
 DIMMABLE : Yes

FINISHES OPTION

 Polished Chrome

GLASS

Beveled Crystal BC

MATERIAL

Steel + Crystal

RATINGS

Dry Location



ADDITIONAL

INSTALL UP/DOWN: Up
 RATED LIFE 2000 Hours
 OPERATING TEMPERATURE:
 -20°C (-4°F), 40°C (104°F)

Always consult a qualified electrician before installing any lighting product.



WESTERN DISTRIBUTION CENTER (HEADQUARTER)
 253 NORTH VINELAND AVE | CITY OF INDUSTRY, CA 91746
EASTERN DISTRIBUTION CENTER
 4200 SHIRLEY DR. | ATLANTA, GA 30336
 P. 626.956.4200 | F. 626.956.4225 | maximlighting.com