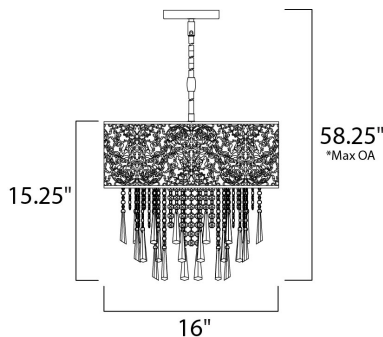




PRODUCT DESCRIPTION

The Rapture Collection's delicate pattern in Satin Nickel stainless steel creates a silhouette against the inner fabric shade available in your choice of White, Black or Red. The shimmer of crystal adds a touch of elegance to this transitional style.



*max overall height

MEASUREMENTS

- DIMENSION : 16" W x 15.25" H
- MAX OAH : 58.25" OAH
- CANOPY : 4.72" W x 0.79" H x 4.72" L
- HANGING WEIGHT : 9.26 lb

LAMPING

- INPUT VOLTAGE : 120V
- LUMENS : 3,750 Rated
- BULB : 5 x 40W Xenon G9 , 200W Total
- BULB INCLUDED : (Included)
- DIMMABLE : Yes
- COLOR_TEMP : 2900K

FINISHES OPTION



GLASS

White WT

MATERIAL

Stainless Steel + Fabric + Crystal

RATINGS

cETLus
Dry Location



ADDITIONAL

SLOPE: 120
RATED LIFE 2000 Hours
OPERATING TEMPERATURE:
-20°C (-4°F), 40°C (104°F)

Always consult a qualified electrician before installing any lighting product.



WESTERN DISTRIBUTION CENTER (HEADQUARTER)
253 NORTH VINELAND AVE | CITY OF INDUSTRY, CA 91746
EASTERN DISTRIBUTION CENTER
4200 SHIRLEY DR. | ATLANTA, GA 30336
P. 626.956.4200 | F. 626.956.4225 | maximlighting.com