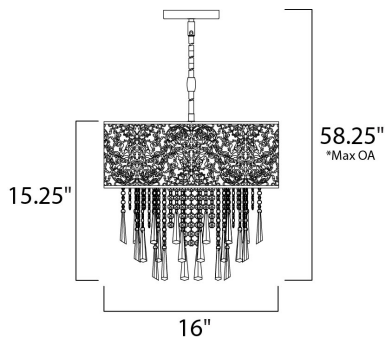




**PRODUCT DESCRIPTION**

The Rapture Collection's delicate pattern in Satin Nickel stainless steel creates a silhouette against the inner fabric shade available in your choice of White, Black or Red. The shimmer of crystal adds a touch of elegance to this transitional style.



\*max overall height

**MEASUREMENTS**

- DIMENSION : 16" W x 15.25" H
- MAX OAH : 58.25" OAH
- CANOPY : 4.72" W x 0.79" H x 4.72" L
- HANGING WEIGHT : 10.81 lb

**LAMPING**

- LUMENS : 3,750 Rated
- BULB : 5 x 40W Xenon G9 , 200W Total
- BULB INCLUDED : (Included)
- DIMMABLE : Yes
- COLOR\_TEMP : 2900K

**FINISHES OPTION**



**MATERIAL**

Stainless Steel + Fabric + Crystal

**RATINGS**

cETLus  
Dry Location



**ADDITIONAL**

SLOPE: 120  
RATED LIFE 2000 Hours  
OPERATING TEMPERATURE:  
-20°C (-4°F), 40°C (104°F)

Always consult a qualified electrician before installing any lighting product.



**WESTERN DISTRIBUTION CENTER (HEADQUARTER)**  
253 NORTH VINELAND AVE | CITY OF INDUSTRY, CA 91746  
**EASTERN DISTRIBUTION CENTER**  
4200 SHIRLEY DR. | ATLANTA, GA 30336  
P. 626.956.4200 | F. 626.956.4225 | maximlighting.com