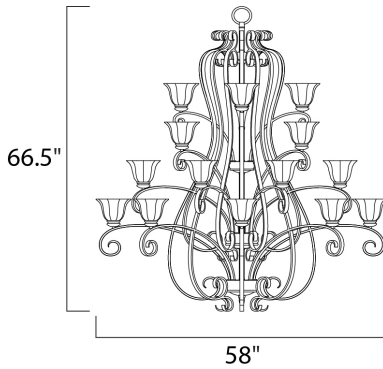




PRODUCT DESCRIPTION

A curvaceous metal frame finished in Platinum Dusk tastefully support fluted Wilshire glass shades.




MEASUREMENTS

DIMENSION : 58" W x 66.5" H
 HANGING WEIGHT : 102.29 lb

LAMPING

INPUT VOLTAGE : 120V
 LUMENS : 8,160 Rated
 BULB : 24 x 40W Incandescent MB , 0W Total
 BULB INCLUDED : (Not Included)
 DIMMABLE : Standard Dimmer
 COLOR_TEMP : 2700K

FINISHES OPTION

 Platinum Dusk

GLASS

Wilshire WS

MATERIAL

Steel

RATINGS

Dry Location



ADDITIONAL

RATED LIFE 2500 Hours
 OPERATING TEMPERATURE:
 -20°C (-4°F), 40°C (104°F)

Always consult a qualified electrician before installing any lighting product.



WESTERN DISTRIBUTION CENTER (HEADQUARTER)
 253 NORTH VINELAND AVE | CITY OF INDUSTRY, CA 91746

EASTERN DISTRIBUTION CENTER
 4200 SHIRLEY DR. | ATLANTA, GA 30336

P. 626.956.4200 | F. 626.956.4225 | maximlighting.com