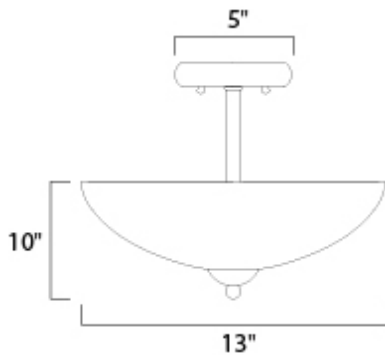




PRODUCT DESCRIPTION

Heavy rectangular tubing support tall scale Satin White glass shades that creates an upscale forged look at a builder price. Available in your choice of Textured Black or Satin Nickel, this collection is complete enough to do the entire home.





MEASUREMENTS

DIMENSION : 13" L x 13" W x 10" H
 CANOPY : 5" W x 1" H x 5" L
 HANGING WEIGHT : 3.02 lb

LAMPING

INPUT VOLTAGE : 120V
 LUMENS : 0 Rated
 BULB : 2 x 60W Incandescent E26 Medium , 120W Total
 BULB INCLUDED : (Not Included)
 DIMMABLE : Yes

FINISHES OPTION

-  Satin Nickel
-  Textured Black

GLASS

Satin White SW

MATERIAL

Steel + Opal Glass

RATINGS

cETLus
 Dry Location



ADDITIONAL

OPERATING TEMPERATURE:
 -20°C (-4°F), 40°C (104°F)

Always consult a qualified electrician before installing any lighting product.



WESTERN DISTRIBUTION CENTER (HEADQUARTER)
 253 NORTH VINELAND AVE | CITY OF INDUSTRY, CA 91746

EASTERN DISTRIBUTION CENTER
 4200 SHIRLEY DR. | ATLANTA, GA 30336

P. 626.956.4200 | F. 626.956.4225 | maximlighting.com