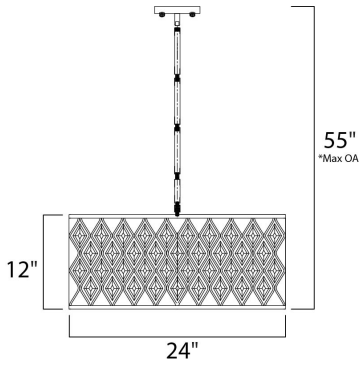




**PRODUCT DESCRIPTION**

Diamond-shaped crystals gracefully fit the openings in these metal frames finished in a rustic Golden Silver finish, and creamy Off White fabric shades line each frame of the Diamond collection. The oval-shaped pendant is sure to be the focal point of any fine decor.



**MEASUREMENTS**

- DIMENSION : 24" W x 12" H
- MAX OAH : 55" OAH
- HANGING WEIGHT : 22 lb

**LAMPING**

- INPUT VOLTAGE : 120V
- LUMENS : 4,600 Rated
- BULB : 4 x 60W Incandescent E26 Medium , 240W Total
- BULB INCLUDED : (Not Included)
- DIMMABLE : Yes

**FINISHES OPTION**



**MATERIAL**

Steel, Fabric Lampshade, Crystal

**RATINGS**

cETLus  
Dry Location



**ADDITIONAL**

RATED LIFE 2500 Hours  
OPERATING TEMPERATURE:  
-20°C (-4°F), 40°C (104°F)

Always consult a qualified electrician before installing any lighting product.



**WESTERN DISTRIBUTION CENTER (HEADQUARTER)**  
253 NORTH VINELAND AVE | CITY OF INDUSTRY, CA 91746

**EASTERN DISTRIBUTION CENTER**  
4200 SHIRLEY DR. | ATLANTA, GA 30336

P. 626.956.4200 | F. 626.956.4225 | maximlighting.com